



World-class turf maintenance equipment

PARTS LIST & DRAWINGS

FLEXICOMB

MACHINE REFERENCE FXC/195
SERIAL NUMBER
CN CODE



SISIS, Ashbourne Road, Kirk Langley, Derbyshire, DE6 4NJ, England
Tel: +44 (0) 1332 824 777 | Fax: +44 (0) 1332 824 525 | Email info@sisis.com | www.sisis.com

A division of Howardson Ltd - a proudly British company
Company reg no 641526 - Vat No GB 345 9918 12

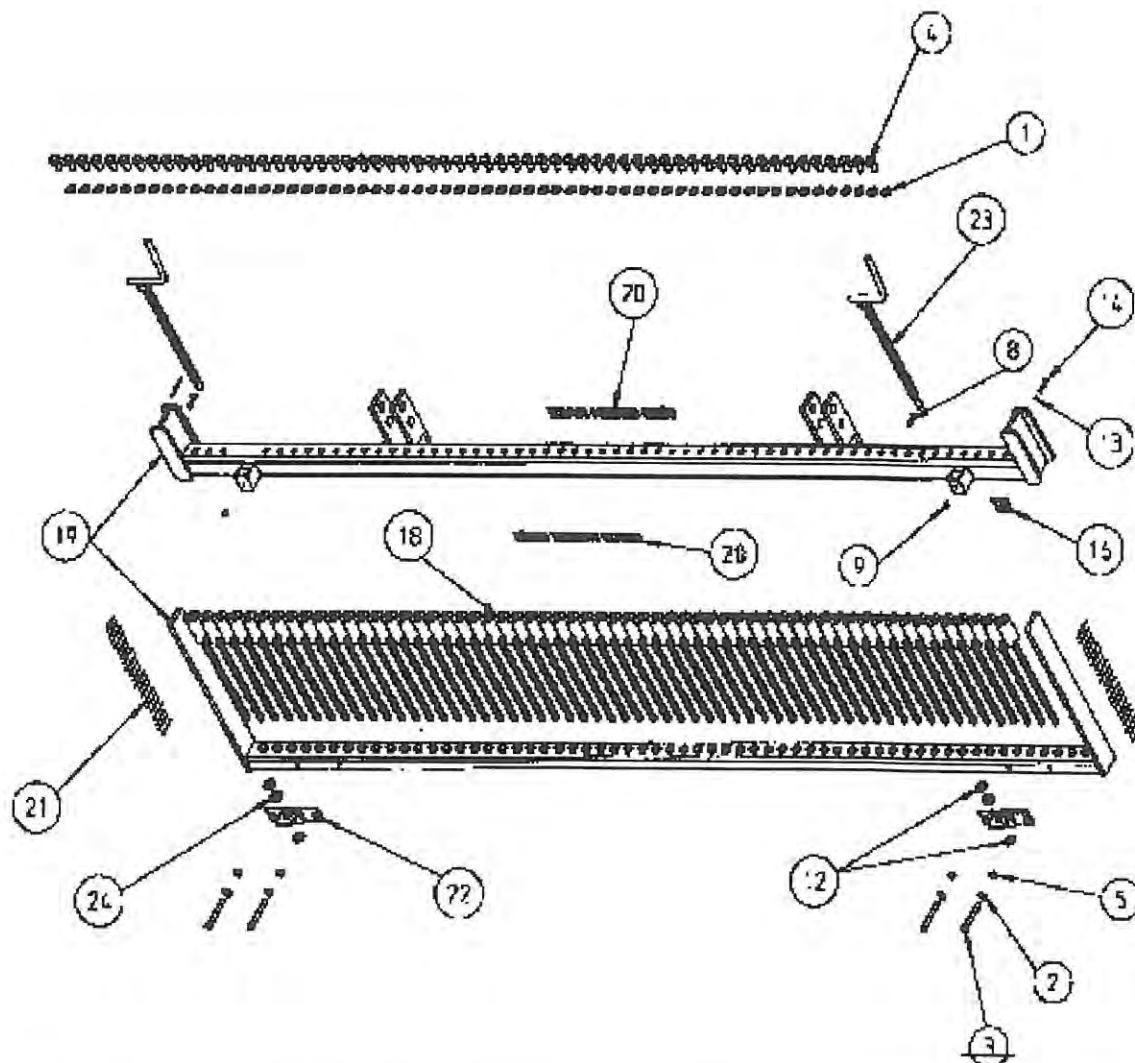
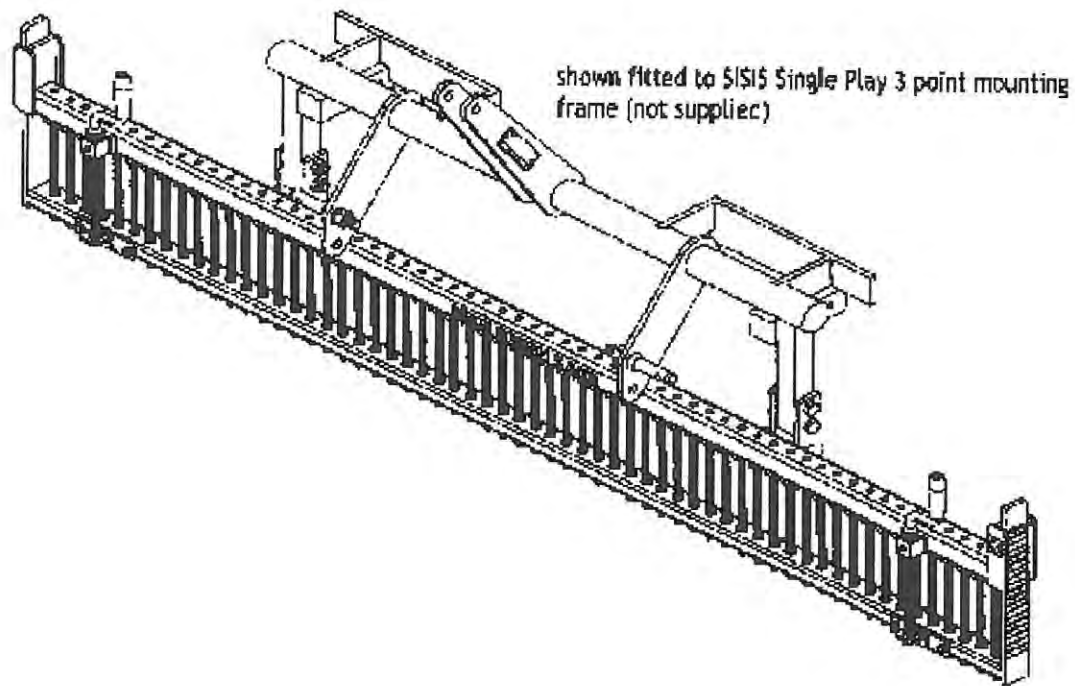
The SISIS Flexicomb has poly-propylene bristles, which can be made stiffer or softer, by adjusting the crossbar. The Flexicomb ensures even distribution of infill materials and lifts the pile. The adjustable setting ensures the effect of a rake, but with the softness of a brush, reducing the risk of damage to the fibres.

SPECIFICATION

Width	1.95m
Length	0.20m
Height	0.42m
Weight	28kg

PARTS LIST

<i>item</i>	<i>part</i>	<i>description</i>	<i>qty</i>	<i>item</i>	<i>part</i>	<i>description</i>	<i>qty</i>
1	1/1065	washer	60	13	20802	spring washer	2
2	1/1072	washer	4	14	22043	setscrew	2
3	1/1116	bolt	4				
4	1/1152	setscrew	60	16	33941	decal	1
5	1/1220	nut	4				
6	1/1231	nut	4	18	37145	brush assembly	60
				19	37614	brush rake frame	1
8	1917	split pin	2	20	37152	decal	2
9	1947	grease nipple	2	21	37153	decal	2
10	1956	bolt	4	22	37154	jack screw bracket	2
				23	37155	jack screw	2
12	20452	washer	4	24	8803	flanged bush	2



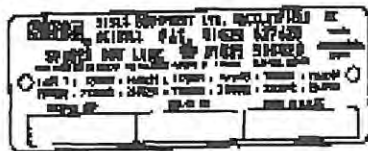
DECALS



1493



33941



0009E

sisis

89EJ97H

BIBIB FLEXICOMB

17152



37153