



World-class turf maintenance equipment

# OPERATING INSTRUCTIONS

## MAXISLIT

MACHINE REFERENCE	MX/160
SERIAL NUMBER	.....
CN CODE	8432 29 10



SISIS, Ashbourne Road, Kirk Langley, Derbyshire, DE6 4NJ, England.  
Tel: +44 (0) 1332 824 777 | Fax: +44 (0) 1332 824 525 | Email: [info@sisis.com](mailto:info@sisis.com) | [www.sisis.com](http://www.sisis.com)

A division of Howardsol Ltd. - a proudly British company  
Company reg no 641526 - Vat No GB 345 9918 12

# EC DECLARATION OF CONFORMITY

We the undersigned  
SISIS EQUIPMENT (Macclesfield) LIMITED

Certify that the	Aerator
Make	SISIS
Type	MaxiSlit
Series	160
Conforms to EC Directives and amendments	2006/42/EC
Standard	BS7370

This certificate applies only to NEW equipment supplied  
by SISIS or our authorised dealer



J.W. Hargreaves  
Director

Certificate Number  
CEFS634

We want you to obtain the best performance from this machine. If, after reading the following instructions, you have any problems, please contact SISIS or your local SISIS Territory Manager or SISIS Dealer.

The SISIS MAXISLIT has been specially designed for the deep slit aeration of outfield and fine turf. Rims have been included on the tine plates to avoid marking at full depth. Side guards are fitted for safety and the rear guard is quickly removable to facilitate changing tines. A weight bar is incorporated into the chassis so that tractor weights may be added to aid penetration in hard conditions. An optional roller may be fitted to improve the finish and give a striped effect.

The tine, part number F34842, is 8mm thick and can be set at 178mm or 228mm (7in or 9in).

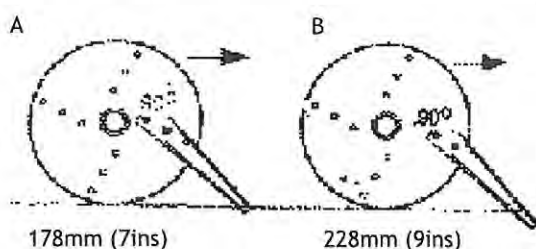
### TRACTOR REQUIREMENTS

Ensure that the tractor used has sufficient lift capability. Front weight may need to be fitted to some tractors.

Before fitting tines, remove the rear guard section for easy access. Refit the guard before operating the machine.

### ASSEMBLY

Your SISIS MAXISLIT will be supplied with tines fitted. It is essential that the tines are fitted in the correct position. See figure 1



**NOTE :** one corner of the tine is at 90°. This should be pointing away from the centre shaft.

On areas which have not regularly been aerated always fit the tines at 178mm (7in) figure 1A. When full depth has been achieved, extend tines to 228mm (9in) figure 1B

### CONNECTION TO THE TRACTOR

The SISIS MAXISLIT is fitted with category 1 pins. Secure the tractor lower lift arms with linch pins. Adjust the top link to the correct length so that the front frame of the MaxiSlit is vertical.

Lift the spiker clear of the ground and retract the support legs and lock into the lifted position. Tighten check chains.

### OPERATION

Lower the MaxiSlit into the ground whilst the tractor is moving forward. The operating speed is affected by ground conditions. Normal working speed is between 12.8-16kmph (8-10mph). A slower speed may be needed in very hard conditions or when severe undulations make speed hazardous. The MaxiSlit is designed to operate in straight lines. DO NOT turf sharply with the tines in the ground.

### MAINTENANCE

Grease the 2 tine shaft bearings weekly

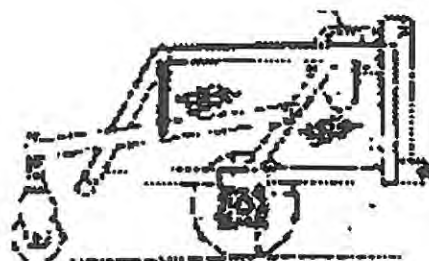
Clean and oil the tines after use and before storage

### FITTING THE OPTIONAL ROLLER

Offer the roller up to rear of MaxiSlit with roller scraper facing to the rear. Line up roller frame arms with holes in cross member of chassis (see roller attachment). Secure with bolts and nuts (items 4, 11, 27). Securely fasten 'D' shackles (item 26) through eyebolts in main chassis (item 29).

### ROLLER ATTACHMENT

tractor weight 33150



**SPECIFICATION**

Model Reference	MX/160	FS634
Roller - optional	MX/160R	FS639
Width - working	1.6m	63ins
Width - overall	1.93m	77ins
Width - effective	1.93	76ins
Length - less roller	1.3m	40ins
Length - plus roller	1.4m	41ins
Weight - inc. roller & tines	305 K	671 lbs
Spacing between tines	23cm	9ins
Forward spacing - at full depth	30cm	11ins
Weights - optional	part number 33150	

**SALES****CONTACT NUMBERS**

Sales	01625 503030
Purchasing	01625 505992
Accounts	01625 505995
Fax	01625 427426
Email	info@sisis.com
Website	www.sisis.com

# sisis

## PARTS LIST & DRAWINGS

# MAXISLIT

MACHINE REFERENCE	MX/160
SERIAL NUMBER	.....
CN CODE	8432 29 10

---

SALES/SPARES 01625 503030  
Website [www.sisis.com](http://www.sisis.com)

## PARTS LIST

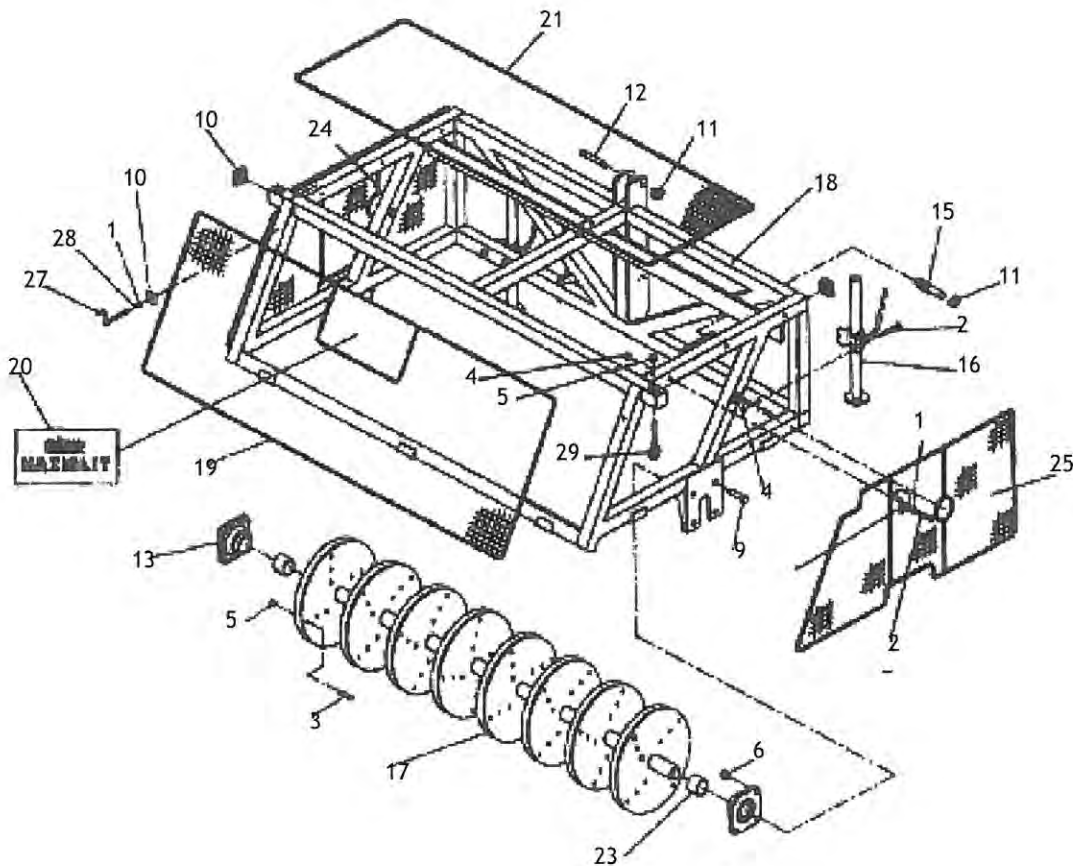
item	part	description	qty	item	part	description	qty
1	1/1073	plain washer	4	22	34904	guard clamp	4
2	1/1134	hex head bolt	9	23	34981	spacer	2
3	1729	hex head setscrew	64	24	34907	side guard LH	1
4	1/1223	nyloc nut	11	25	34909	side guard RH	1
5	1228	nyloc nut	66	26	20323	tube insert	7
6	1/1231	nyloc nut	8	27	34965	hand screw	2
7	1480	standard nameplate	1	28	1/1063	spring washer2	2
8	1871	pop rivet	2	29	21173	eyebolt	2
9	1982	hex head bolt	8				
10	6725	washer (guard bolts)	7				
11	8326	linch pin and ring	3				
12	8617	top link pin	1				
13	8740	bearing	2				
14	20015	tine box	1				
15	20327	lower link mounting pin	2				
16	20232	drop leg assembly	2				
17	34794	main frame	1				
18	34861	rear guard	1				
19	34793	tine shaft	1				
20	34879	transfer	1				
21	34893	top guard	1				

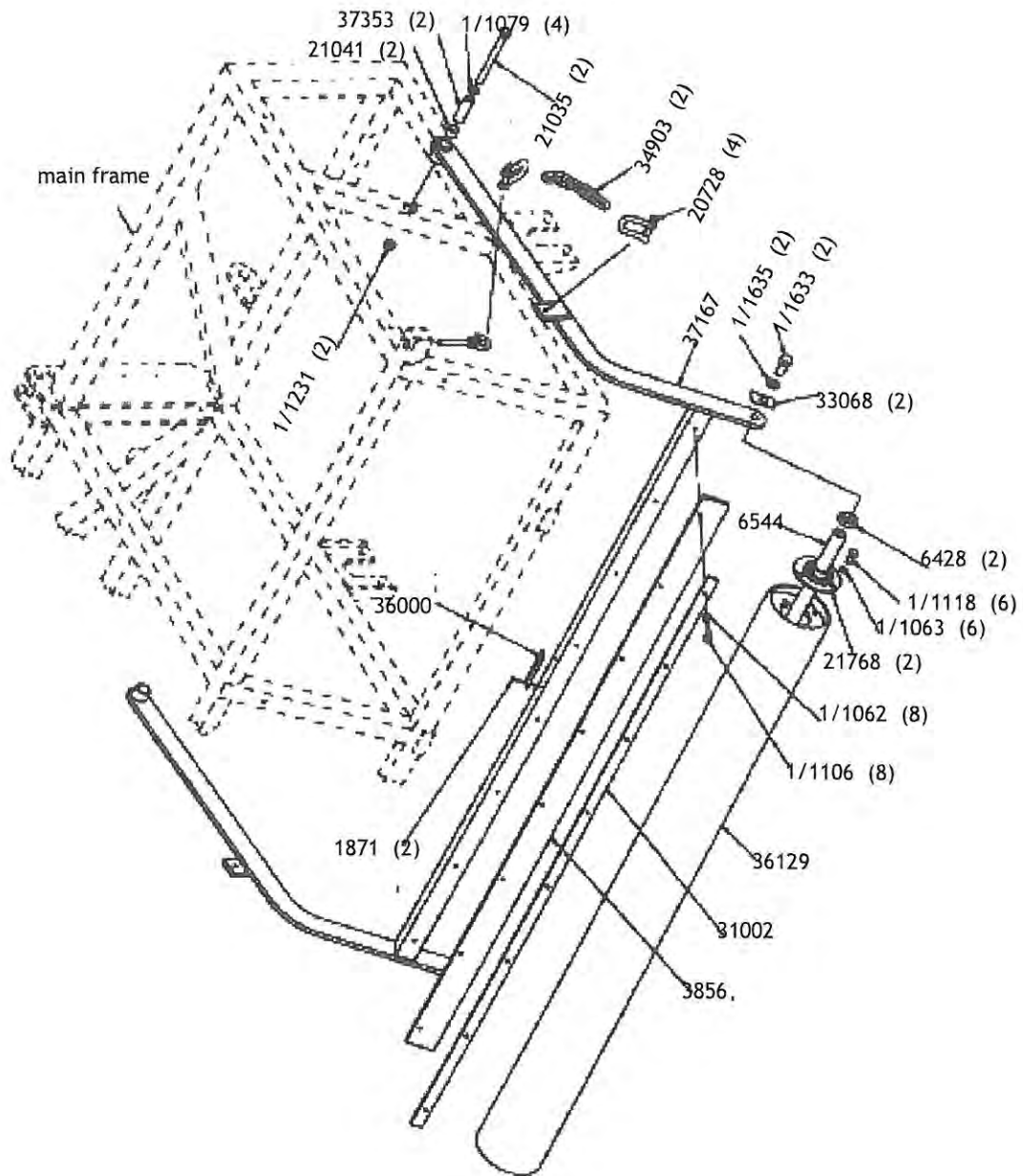
## OPTIONAL WEIGHTS

item	part	description	qty
	33150	tractor weight	

## TINES

item	part	description	qty
	34842	tine	32





QUANTITIES ARE SHOWN IN BRACKETS

