



World-class turf maintenance equipment

OPERATING INSTRUCTIONS

MEGASLIT

MACHINE REFERENCE	MG/240
SERIAL NUMBER
CN CODE	8432 29 10



SISIS, Ashbourne Road, Kirk Langley, Derbyshire, DE6 4NJ, England
Tel: +44 (0) 1332 824 777 | Fax: +44 (0) 1332 824 525 | Email: info@sisis.com | www.sisis.com

A division of Howardson Ltd - a proudly British company
Company reg n° 641526 - Vat No GB 345 9918 12

EC DECLARATION OF CONFORMITY

We the undersigned

SISIS - Division of Howardson Ltd, Ashbourne Road, Kirk Langley
Derby DE6 4NJ. England.

Certify that the	Aerator
Make	SISIS
Type	MegaSlit
Series	240
Conforms to EC Directives and amendments	2006/42/EC
Standard	BS7370

**This certificate applies only to NEW equipment
supplied by SISIS or our authorised dealer**



IAN HOWARD

Director

Certificate Number
CEFS84322910

We want you to obtain the best performance from this machine. If you have any difficulty after reading these instructions, please contact SISIS direct or your local SISIS Territory Manager or SISIS Dealer.

DESCRIPTION

The 2.5m wide SISIS MEGASLIT is the largest of the SISIS deep slitters and is intended for the deep slit aeration of turf giving penetration from 23cm (9ins) to 30cm (12ins).

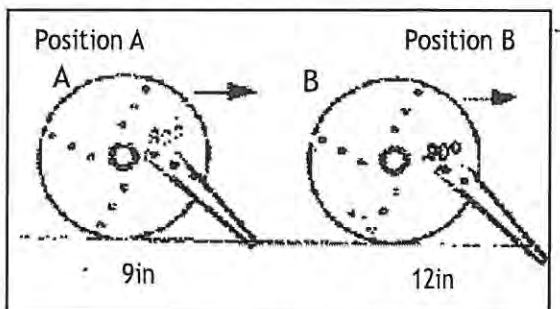
The tine plates have a wide rim to reduce surface marking in soft or undulating conditions. A safety guard is fitted to ensure maximum safety but is quickly removed for ease of tine exchange. Four bearings along the tine shaft give extra strength for a long working life. An optional floating roller can be fitted to give a smooth finish.

FITTING TINES

Your SISIS MEGASLIT will be supplied without tines fitted. It is essential that the tines are fitted in the correct position.

NOTE One corner of the tine is 90°. This should be pointing away from the centre shaft.

On areas which have not regularly been aerated



ALWAYS fit the tines at 23cm (9ins) to start with (position A). When full depth has been achieved, extend the tines to 30cm (12ins) if desired (position B.)

CONNECTION TO THE TRACTOR

SISIS MEGASLITs are fitted with category I and Category II hitch pins. Choose the correct size to suit your tractor and attach tractor link arms,

securing with lynch pins. Adjust the top link to the correct length and insert top link pin. Secure with lynch pin. Lift the spiker clear of the ground and retract support legs. Lock into position with screw lock levers. Tighten check chains or fit stabilizer bar to centralise the spiker. Adjust top link until main frame is in a vertical position. The spiker is now ready for use.

OPERATION

Lower the aerator into the ground whilst the tractor is moving. Operating speed is dictated by ground conditions. Normal working speed is between 8-10mph. A slower speed may be needed in very hard conditions or when severe undulations make speed hazardous.

The aerator is designed to work in straight lines. DO NOT turn with the tines in the ground. When disconnecting the aerator from the tractor, firstly lower and lock the drop legs and lower the aerator to the ground. Slacken the check chains or remove the stabilizers. Remove the top link before removing the link arms.

MAINTENANCE

Grease the bearings after use. Lightly oil the tines before storage.

FITTING OPTIONAL ROLLER

With the MegaSlit attached to the tractor, offer the roller and frame assembly up to the rear of the MegaSlit. With the roller scraper facing the rear (this is best done by 2 persons), raise the roller arms until they align with the holes through the guard and mainframe. (Position A mainframe assembly).

Fit the bolts provided (item 27 roller assembly) and tighten securely. Next locate the 'D' shackle (item 26 roller assembly) into eyebolt (item B main frame assembly) and tighten.

Lift the MegaSlit on the tractor hydraulics to ensure that the roller assembly pivots freely.

SPECIFICATION

Model reference	MG/240	
Overall width	250cm	98ins
Overall length (inc. roller)	163cm	64ins
Working width	218cm	86ins
Height	119cm	47ins
Weight (inc roller & Tines	475kg	1051 lbs
Approx. ground coverage at	12.8kmph	8mph
	27,980m ² /h	33,470yd ² /h
Tractor requirement	35hp upwards front weights may be required	
Tines	32 - part number 35602	

SISIS CONTACT TELEPHONE NUMBERS

Sales	01625 503030
Accounts	01625 505995
Purchasing	01625 505992
Fax all departments	01625 427426
Email all departments	infor@sisis.com
Website	www.sisis.com



PARTS LIST & DRAWINGS

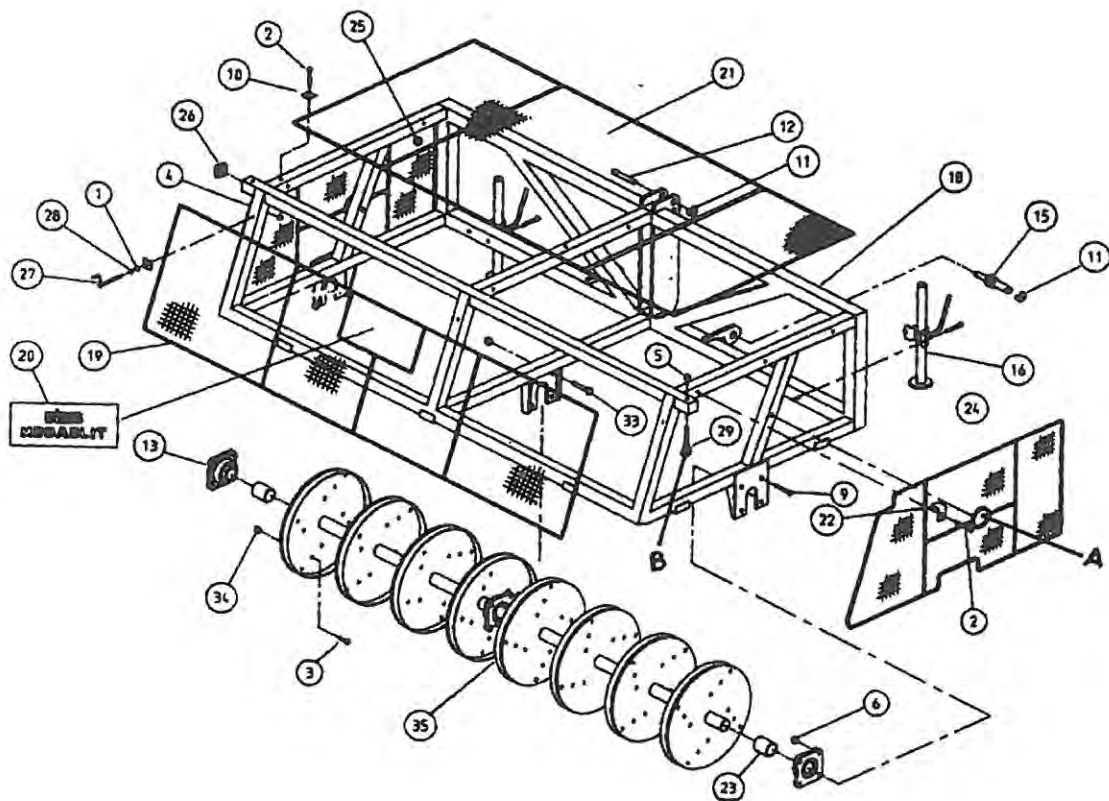
MEGASLIT

MACHINE REFERENCE	MG/240
SERIAL NUMBER
CN CODE	8432 29 10

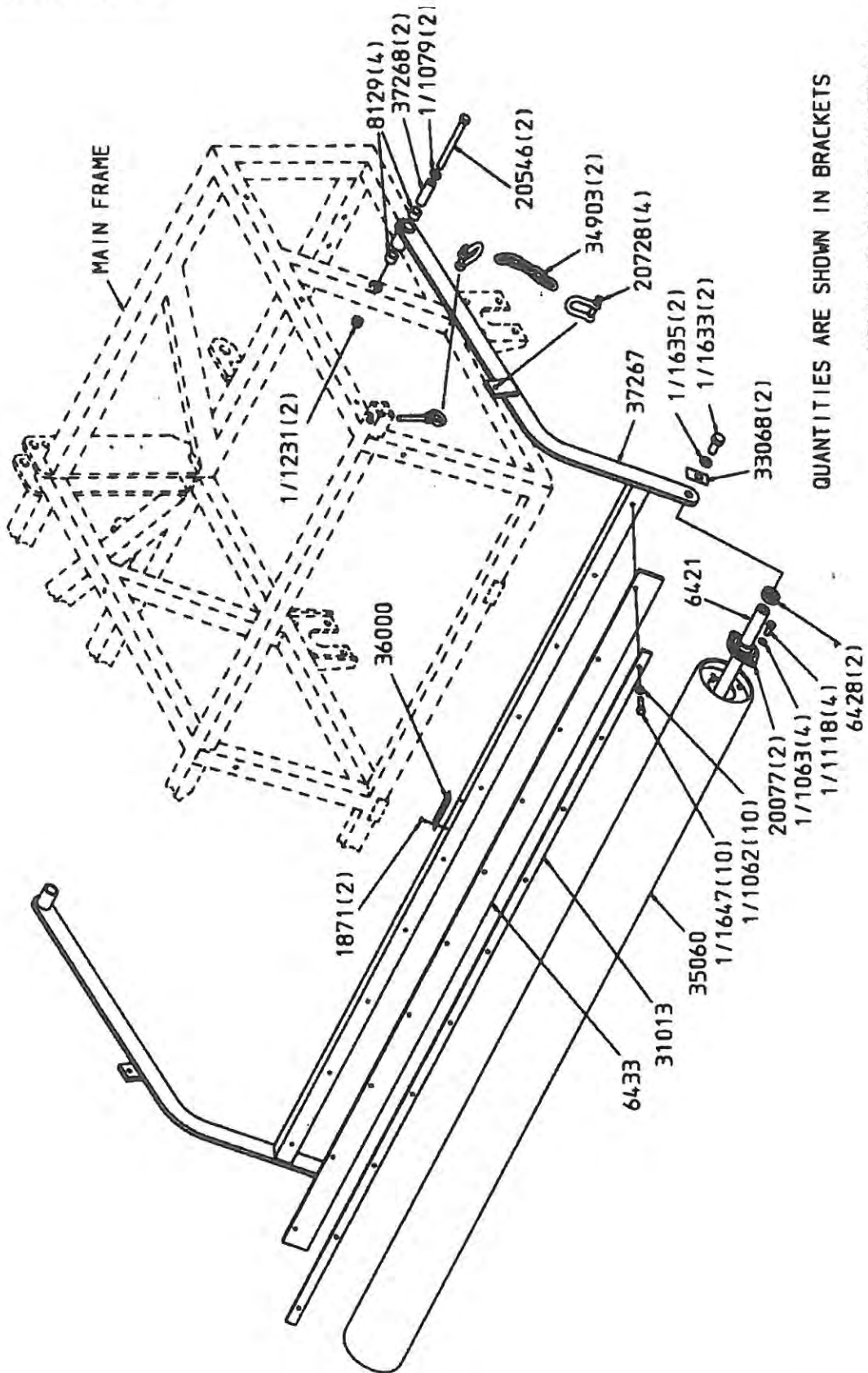
SALES/SPARES 01625 503030
Website www.sisis.com

GENERAL ASSEMBLY

item	part	description	qty	item	part	description	qty
1	1/1073	plain washer	9	22	34904	guard clamp	6
2	1/1134	hex. head bolt	4	23	35444	spacer	2
3	20320	bolt	64	24	35349	side guard RH	1
4	1/1223	nyloc nut	4	25	35348	side guard LH	1
5	1/1228	nyloc nut	2	26	20323	tube insert	4
7	1480	standard nameplate	1	27	34965	hand screw	10
8	1871	pop rivet	2	28	1/1063	spring washer	10
9	21280	hex. head bolt	8	29	21173	eyebolt	2
10	6725	washer (guard bolts)	4				
11	8326	linch pin and ring	3	32	21537	tube insert	4
12	8617	top link pin	1	33	20522	hex head bolt	4
13	8740	bearing	4	34	20321	nyloc nut	76
14	20015	tine box	1	35	35692	tine shaft assembly	1
15	21034	lower link dual mounting pin	2				
16	21576	drop leg assembly					
				TINE			
18	35428	frame assembly	1				
19	35431	rear guard	1	35602	tine		32
20	35373	transfer	1				
21	35432	top guard	1				



ROLLER ASSEMBLY



QUANTITIES ARE SHOWN IN BRACKETS

REFERS IT TO THE ASSEMBLY

