



World-class turf maintenance equipment

OPERATING INSTRUCTIONS

TIF FRAME

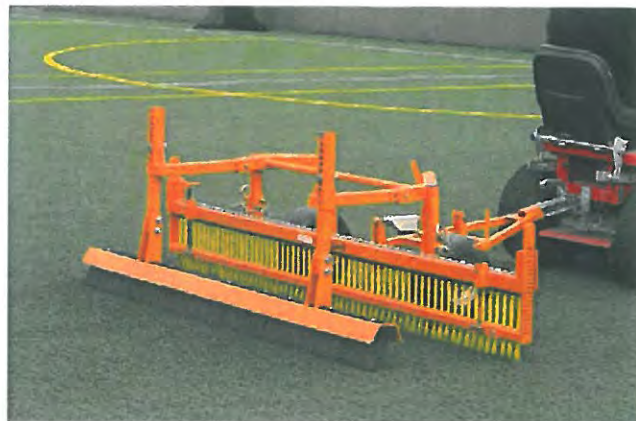
MACHINE REFERENCE

TIF

SERIAL NUMBER

.....

CN CODE



SISIS, Ashbourne Road, Kirk Langley, Derbyshire, DE6 4NJ, England.

Tel: +44 (0) 1332 824 777 | Fax: +44 (0) 1332 824 525 | Email: info@sisis.com | www.sisis.com

A division of Howardson Ltd - a proudly British company
Company reg no 641526 - Vat No GB 345 9918 12

We want you to obtain the best performance from this frame. If, after reading the following instructions, you have any problems, please do not hesitate to contact us or your local SISIS Territory Manager or SISIS Dealer.

TIF towed implement frame	FS1118
Double Implement frame	FS1123
Electric Lift kit	FS1122

The towed implement frame is designed to be fitted with a selection of SISIS rakes and brushes etc (see list). Either one or two implements may be fitted (see below for two implements).

The frame may be towed by smaller power units such as utility vehicles, garden tractors or bunker rakes etc that do not have 3-point hitch.

The frame is fitted with a standard ball hitch and has a top link so that the angle of the implement may be adjusted in relation to the towing height.

The implement arms have a series of holes to allow for the height of the implement.

STANDARD MANUAL OPTION

The top link is attached to an over centre lever. This has a spring pin located at the base of the lever. When the implement is raised for transport the pin is removed. The lever can now be pulled down and the pin reinstalled in the forward jaws.

NOTE

If the implement is too heavy more than one person will be required to lift it into the transport position.

ELECTRIC OPTION

An electric lift kit (FS1122) is available.

The electric actuator (ram) fits with its motor end into the jaws on the wheel axle and the shaft end fits into the forward (nearest the ball hitch) set of jaws. A control box is supplied and may be fitted to the battery (12 vdc) with the crocodile clips provided.

Maximum lift capacity of the electric actuator is 2000 Nm (200 kilos)

When fitting two implements the double implement extension frame will be required
FS1123

The twin implement frame is fitted into the sockets in the single implement frame and secured with pins. These arms have a series of holes to allow for height adjustment of the second implement in relation to the first implement.

NOTE

If the implements are too heavy more than one person will be required to lift them into the transport position.

AVAILABLE IMPLEMENTS

	Electric	Manual
FXC/195		✓
QB/6		✓
QGR/6		✓
QR/6	✓	
QSS/6	✓	
QFGR/6		✓
QTL/6	✓	
QMR/6		✓
QTR/6		✓
QB/8		✓
QGR/8		✓
QR/8	✓	
QSS/8	✓	
QFGR/8		✓
QT/8	✓	

E - electric lift recommended

M - manual lift option satisfactory

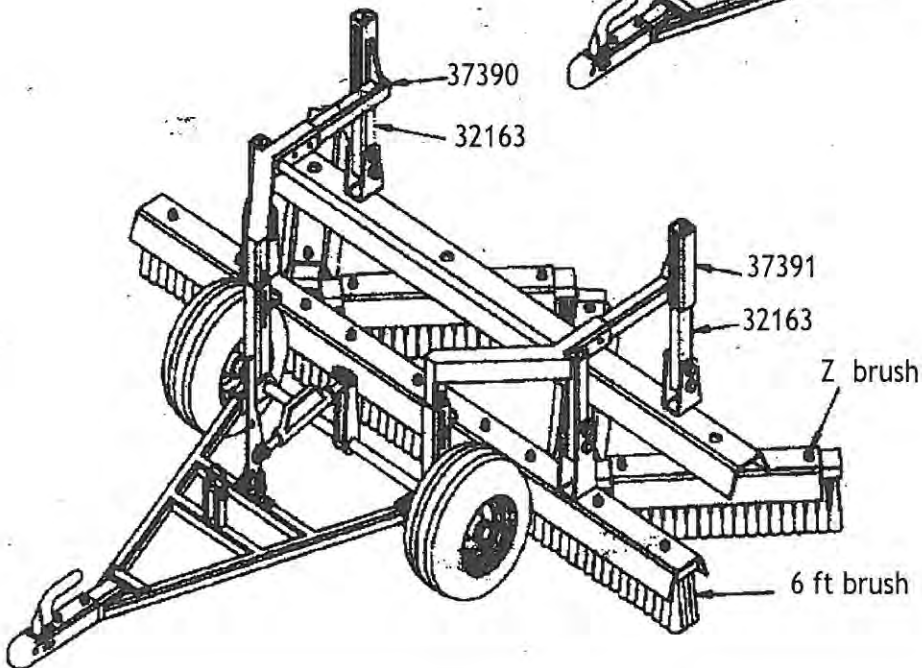
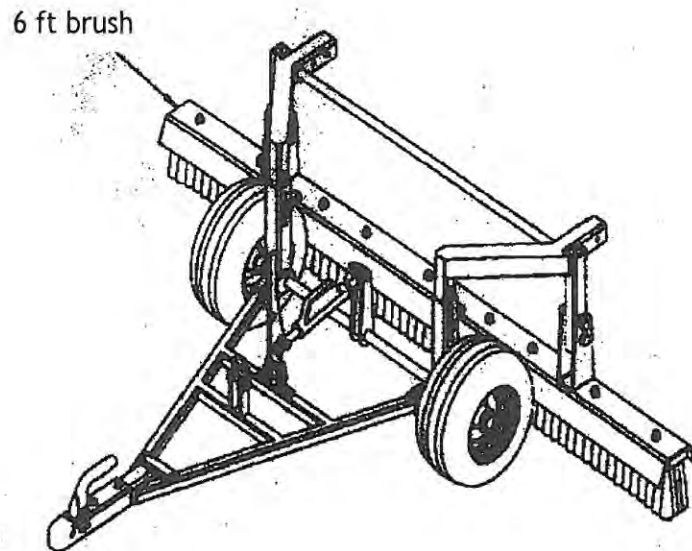
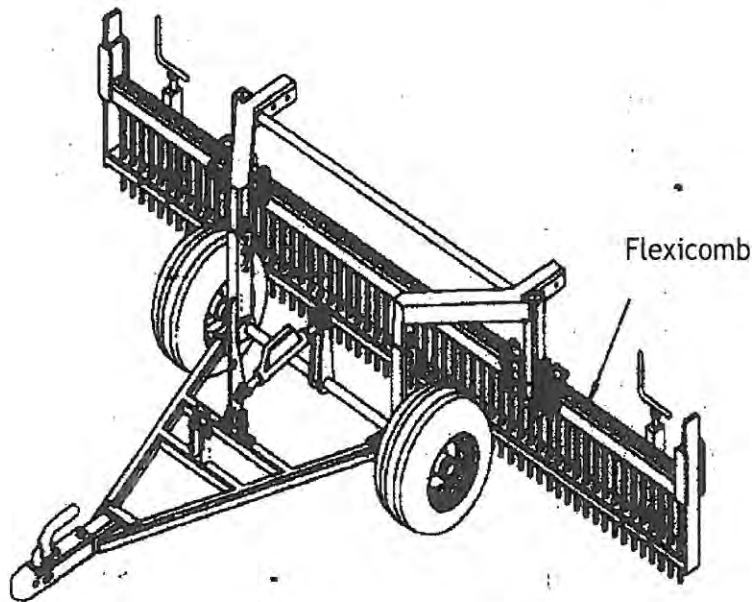


PARTS LIST & DRAWINGS

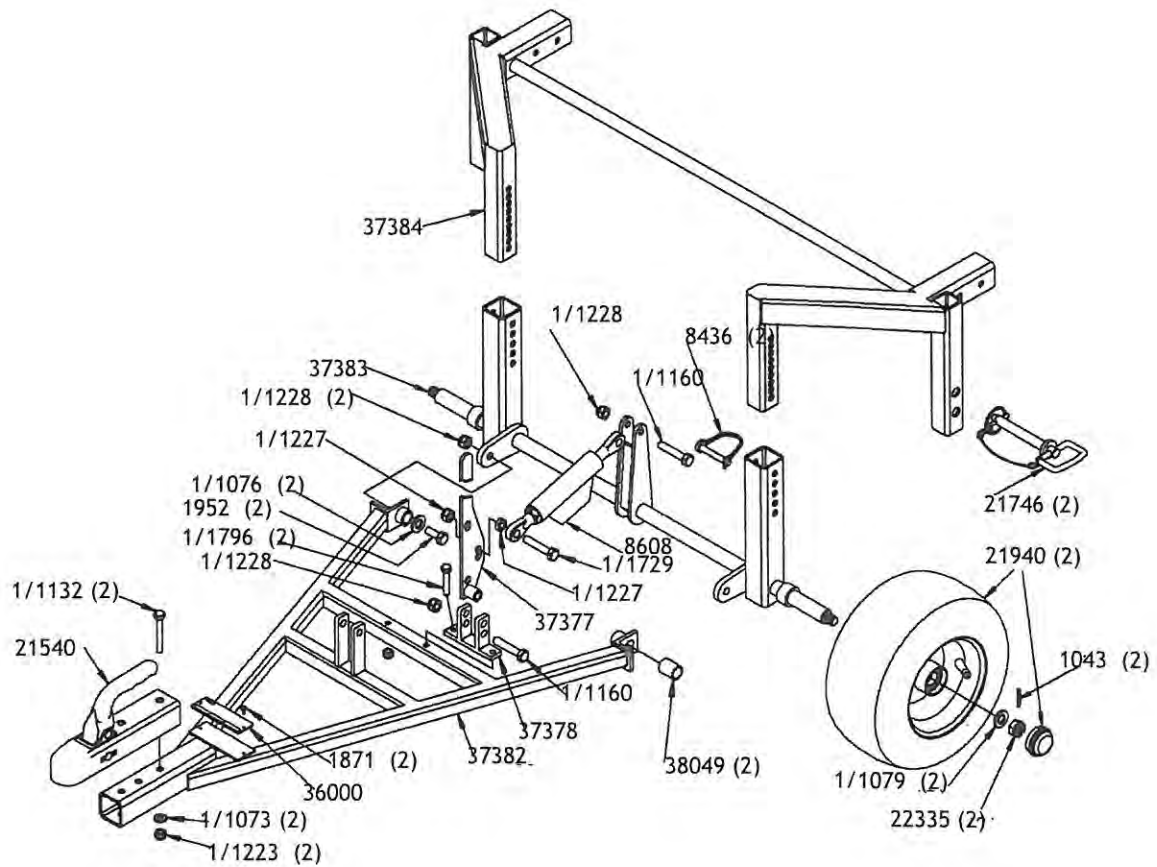
TIF FRAME

MACHINE REFERENCE	TIF
SERIAL NUMBER
CN CODE	

SALES/SPARES 01625 503030
Website www.sisis.com



TOWING FRAME FS1118



ELECTRIC OPTION FS1122

